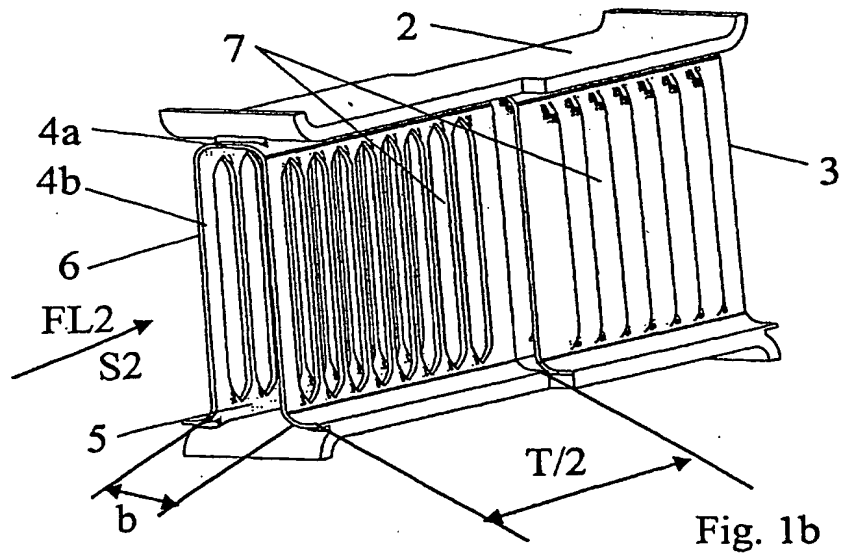
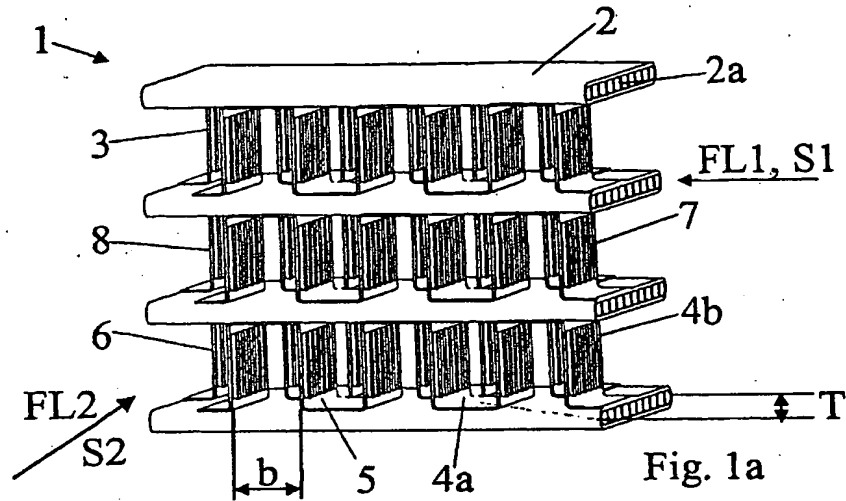


10/506973  
Rec'd PCT/PTO 08 SEP 2004

1/8



10/506973  
Rec'd PCT/PTO 08 SEP 2004

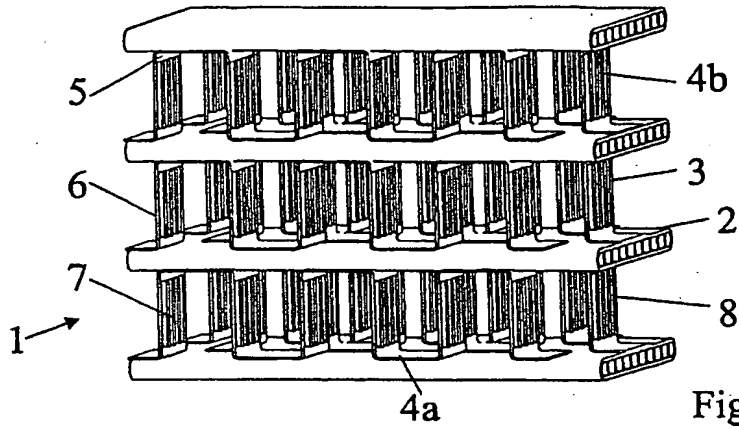


Fig. 2a

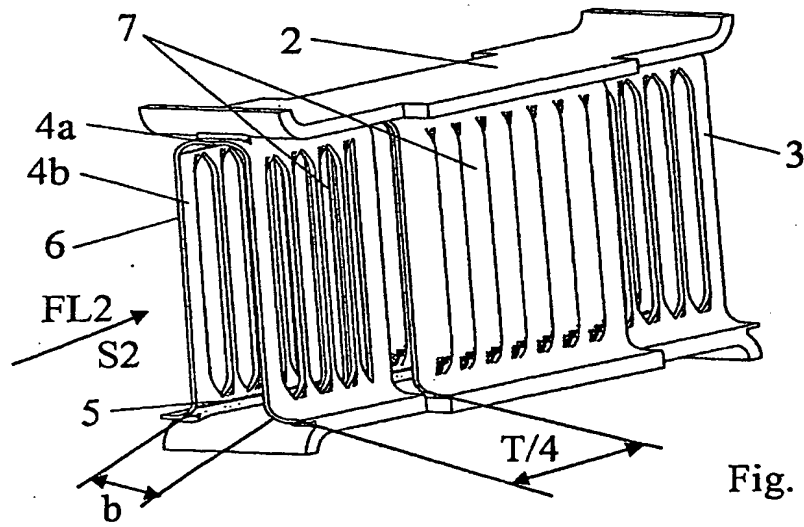
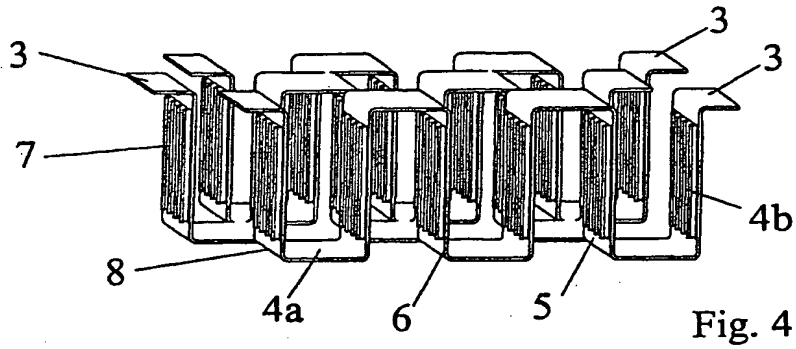
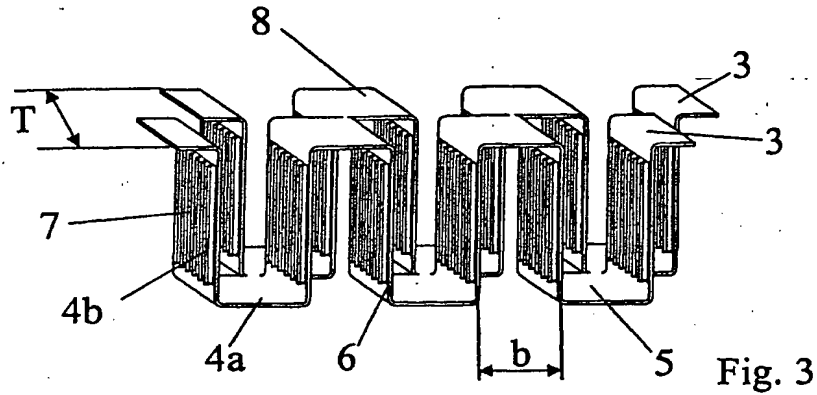


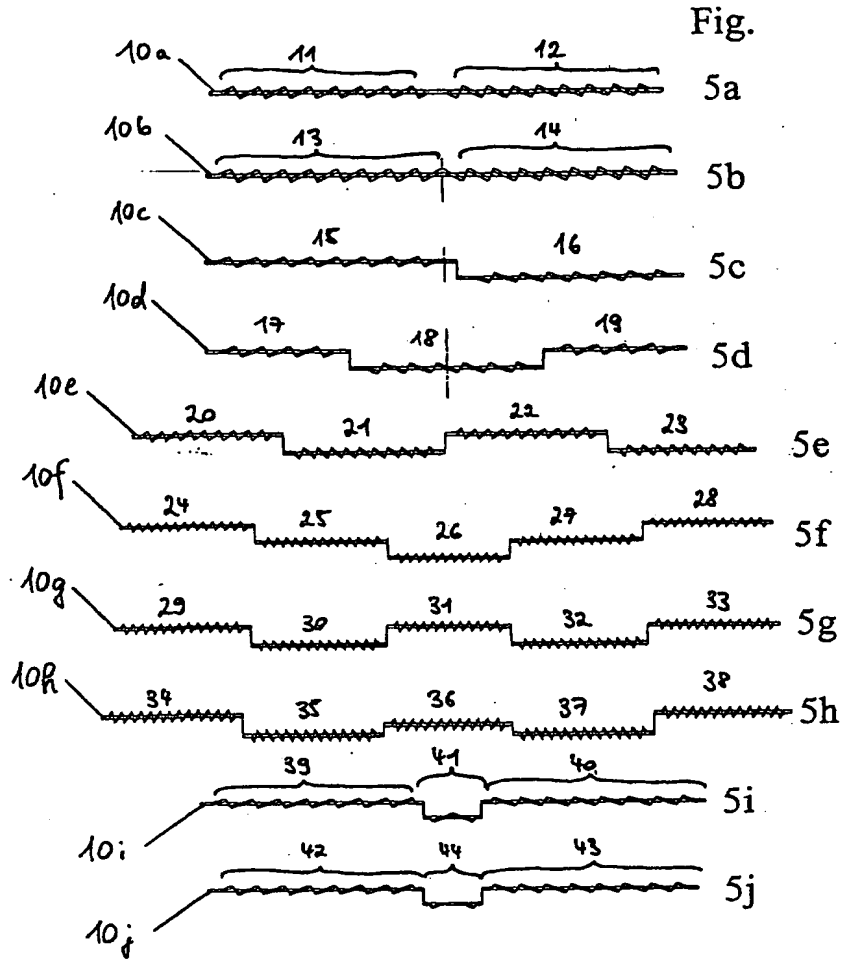
Fig. 2b

10/506973  
Rec'd PCT/PTO 08 SEP 2004

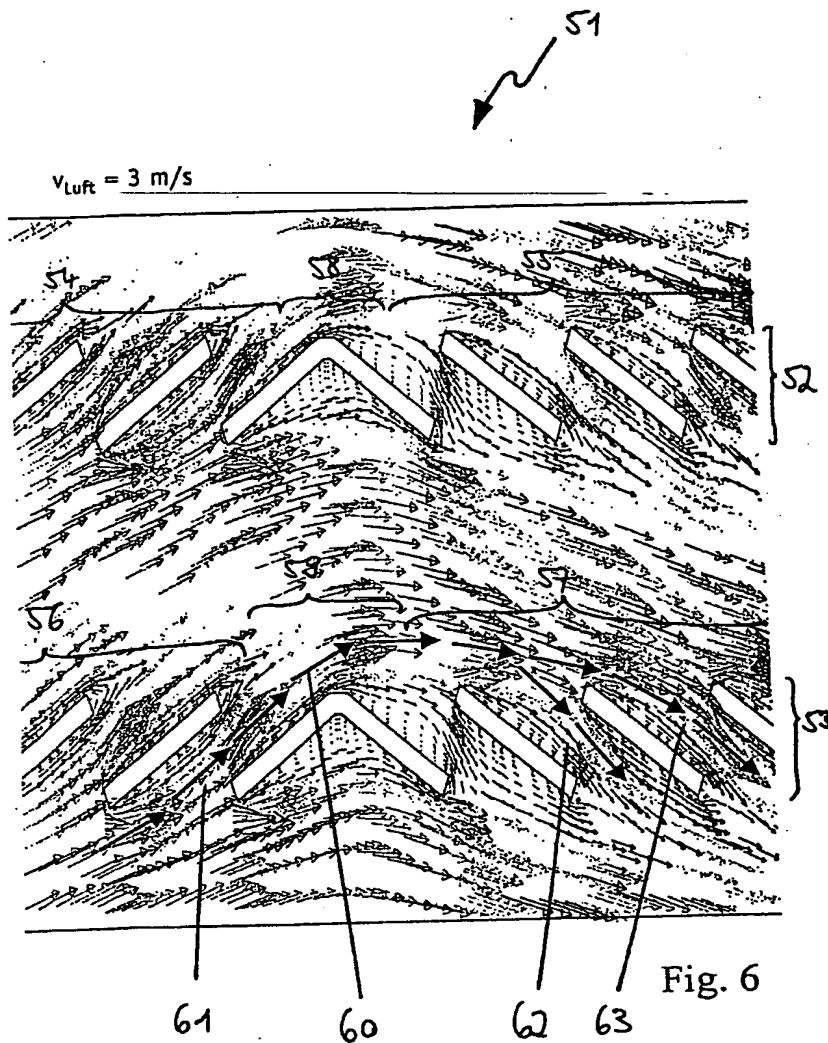


10/506973

Rec'd PCT/PTO 08 SEP 2004



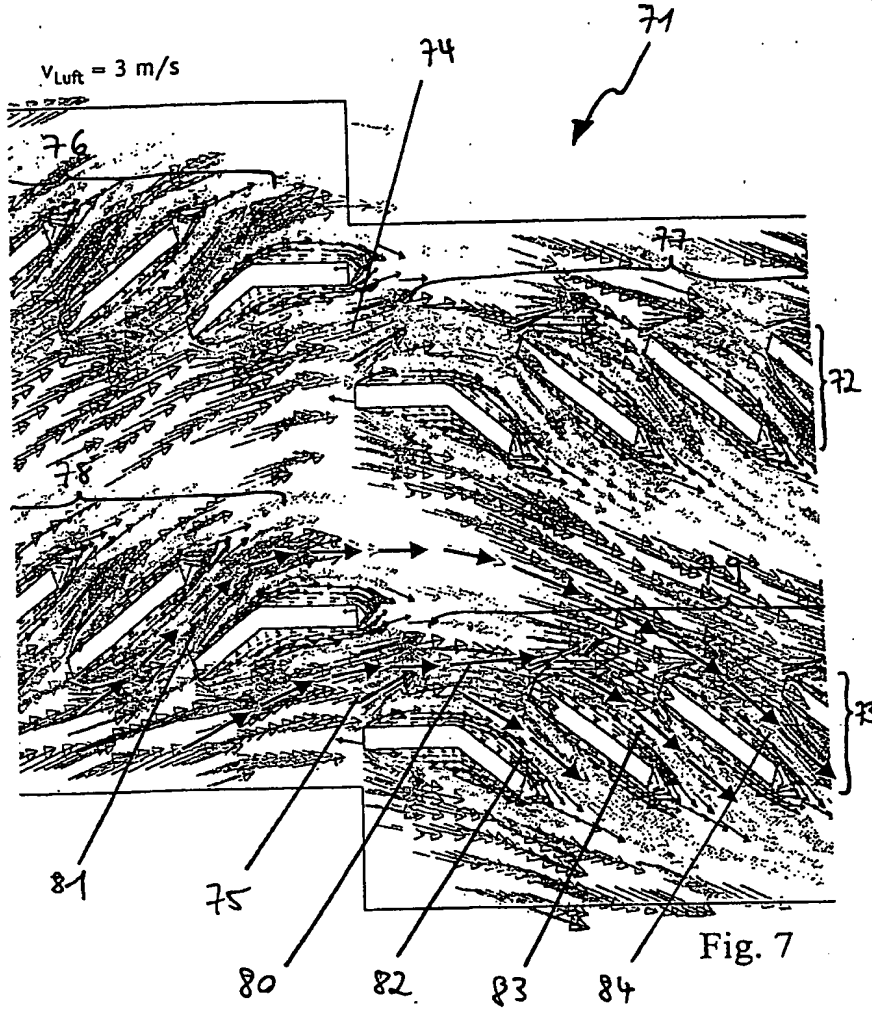
10/506973  
Rec'd PCT/PTO 08 SEP 2004



BEST AVAILABLE COPY

10/506973

Rec'd PCT/PTO 08 SEP 2004



BEST AVAILABLE COPY

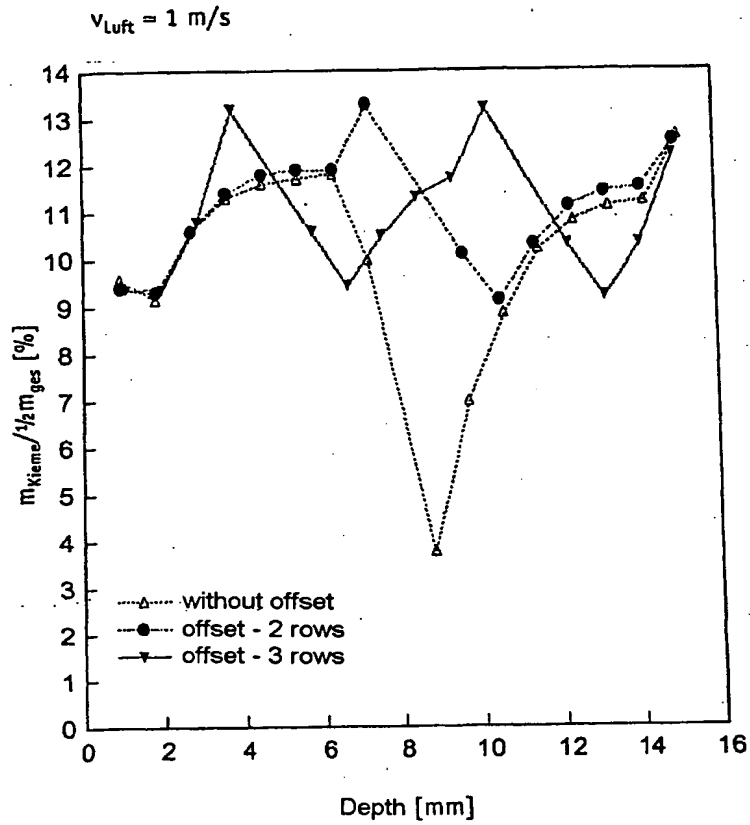


Fig. 8

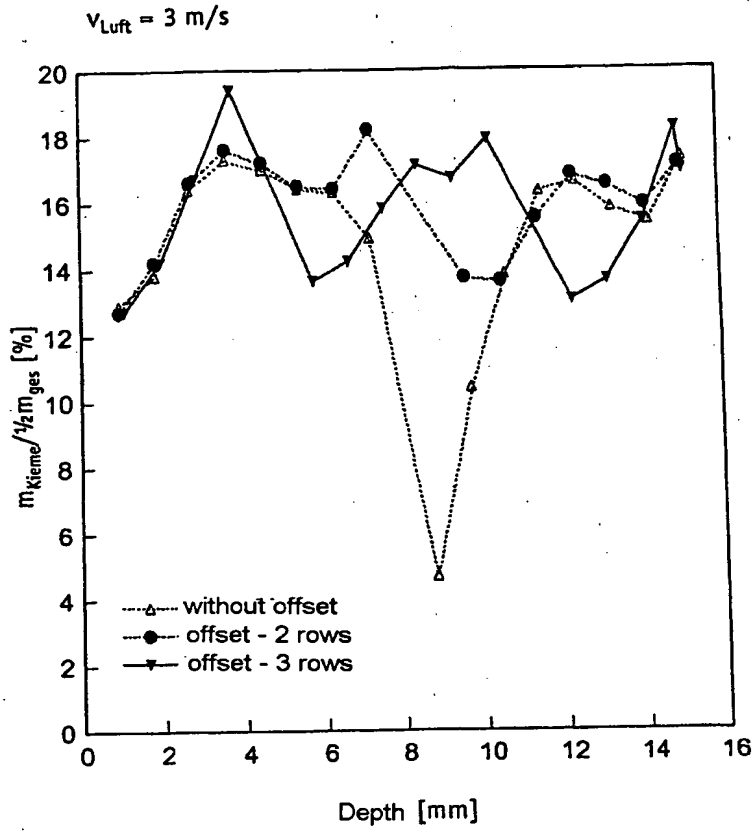


Fig. 9